



**Electrolux**  
PROFESSIONAL

**Modular Cooking Range Line  
900XP 400mm Gas Fry Top,  
Smooth Brushed Chrome Plate**

ITEM # \_\_\_\_\_

MODEL # \_\_\_\_\_

NAME # \_\_\_\_\_

SIS # \_\_\_\_\_

AIA # \_\_\_\_\_



**391402 (E9I1NAAOMCA)**

Half module gas Fry Top with smooth brushed chrome cooking Plate, horizontal, thermostatic control, scraper and sTopper included

**Short Form Specification**

**Item No.** \_\_\_\_\_

Smooth cooking surface in brushed chrome. 10 kW gas powered burners with thermostatic valve and self stabilizing flame. Temperature range up to 270°C. To be installed on open base installations, bridging supports or cantilever systems. Removable drawer below the cooking surface for the collection of grease and fat. Body and work top of unit entirely in stainless steel with Scotch Brite finish. Extra strength work top in heavy duty 2 mm stainless steel. Right-angled side edges to allow flush-fitting junction between units.

**Main Features**

- Unit to be mounted on open base cupboards, bridging supports or cantilever systems.
- Large drain hole on cooking surface permits the draining of fat into large 1 liter collector placed under the cooking surface.
- Stainless steel high splash guards on the rear and sides of cooking surface. Splash guards can be easily removed for cleaning and are dishwasher-safe.
- Piezo spark ignition with thermostatic valve for added safety.
- The special design of the control knob system guarantees against water infiltration.
- IPX5 water protection.
- Temperature range from 90° up to 270°C.
- Rough brushed chrome surface is highly resistant to scratches and facilitates cleaning operations at the end of the day.
- Scraper for smooth plate included as standard.
- Suitable for countertop installation.

**Construction**

- Unit is 930 mm deep to give a larger working surface area.
- All exterior panels in Stainless Steel with Scotch Brite finishing.
- AISI 304 stainless steel worktop, 2mm thick.
- Model has right-angled side edges to allow flush fitting joints between units, eliminating gaps and possible dirt traps.
- Cooking surface 15mm thick brushed chrome for optimum grilling results and ease of use.
- Cooking surface completely smooth.

**Included Accessories**

- 1 of Scraper for smooth plate fry tops PNC 164255
- 1 of Stopper for 900 fry top with horizontal plate PNC 206296

**Optional Accessories**

- Scraper for smooth plate fry tops PNC 164255
- Junction sealing kit PNC 206086
- Draught diverter, 120 mm diameter PNC 206126
- Matching ring for flue condenser, 120 mm diameter PNC 206127
- Support for bridge type installation, 800mm PNC 206137
- Support for bridge type installation, 1000mm PNC 206138
- Support for bridge type installation, 1200mm PNC 206139
- Support for bridge type installation, 1400mm PNC 206140

**APPROVAL:** \_\_\_\_\_

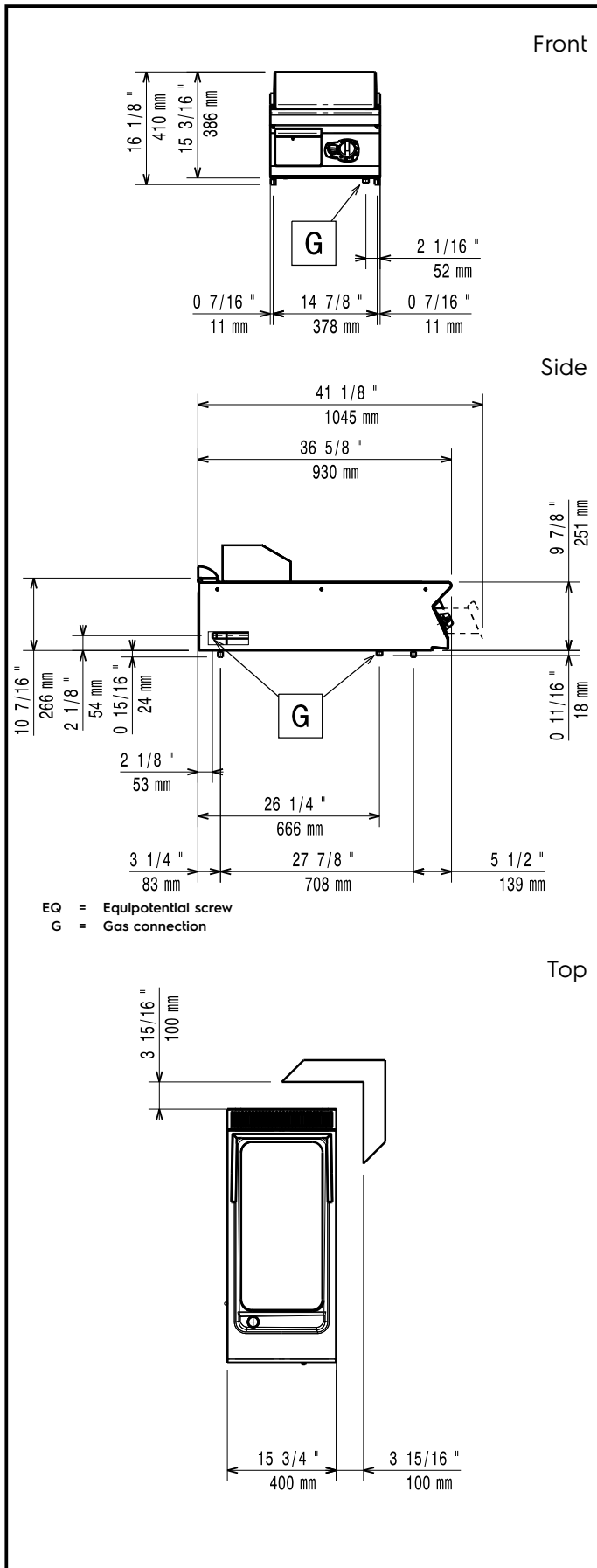


Experience the Excellence  
[www.electroluxprofessional.com](http://www.electroluxprofessional.com)

- Support for bridge type installation, 1600mm PNC 206141
- Water drain for half module fry tops PNC 206153
- Support for bridge type installation, 400mm PNC 206154
- Stopper for 900 fry top with horizontal plate PNC 206296
- Back handrail 800 mm PNC 206308
- Back handrail 1200 mm PNC 206309
- Flue condenser for 1/2 module, 120 mm diameter PNC 206310
- Grease/oil kit container for 700 line frytops (half and module) and 900 line frytops (module) PNC 206346
- Chimney grid net, 400mm (700XP/900) PNC 206400
- Kit 3 base support for wheels PNC 206430
- Cloche for fry tops PNC 206455
- Kit G.25.3 (NI) gas nozzles for 900 fryers PNC 206467
- Side handrail-right/left hand (900XP) PNC 216044
- Frontal handrail, 400mm PNC 216046
- Frontal handrail, 800mm PNC 216047
- Frontal handrail, 1200mm PNC 216049
- Frontal handrail, 1600mm PNC 216050
- Large handrail - portioning shelf, 400mm PNC 216185
- Large handrail - portioning shelf, 800mm PNC 216186
- 2 side covering panels for top appliances PNC 216278
- Pressure regulator for gas units PNC 927225

### Recommended Detergents

- C41 HI-TEMP RAPID DEGREASER, 1 pack of six 1 lt. bottles (trigger incl.) PNC 0S2292



## Gas

|                               |                          |       |
|-------------------------------|--------------------------|-------|
| <b>Gas Power:</b>             | 391402 (E9I1NAAOMCA)     | 10 kW |
| <b>Standard gas delivery:</b> | Natural Gas G20 (20mbar) |       |
| <b>Gas Type Option:</b>       | LPG; Natural Gas         |       |
| <b>Gas Inlet:</b>             | 1/2"                     |       |

## Key Information:

|                                     |                     |
|-------------------------------------|---------------------|
| <b>Cooking surface width:</b>       | 330 mm              |
| <b>Cooking surface depth:</b>       | 700 mm              |
| <b>Working Temperature MIN:</b>     | 90 °C               |
| <b>Working Temperature MAX:</b>     | 270 °C              |
| <b>External dimensions, Width:</b>  | 400 mm              |
| <b>External dimensions, Depth:</b>  | 930 mm              |
| <b>External dimensions, Height:</b> | 250 mm              |
| <b>Net weight:</b>                  | 55 kg               |
| <b>Shipping weight:</b>             | 59 kg               |
| <b>Shipping height:</b>             | 580 mm              |
| <b>Shipping width:</b>              | 460 mm              |
| <b>Shipping depth:</b>              | 1020 mm             |
| <b>Shipping volume:</b>             | 0.27 m <sup>3</sup> |

If appliance is set up or next to or against temperature sensitive furniture or similar, a safety gap of approximately 150 mm should be maintained or some form of heat insulation fitted.